



CANOPIES, UPDRAFTS, DUCTWORK, EXHAUST AND MAKE UP AIR FANS

Email: sbrei@juno.com www.sturdibilt.com Phone: 313-231-4911 - Fax: 734-550-9073



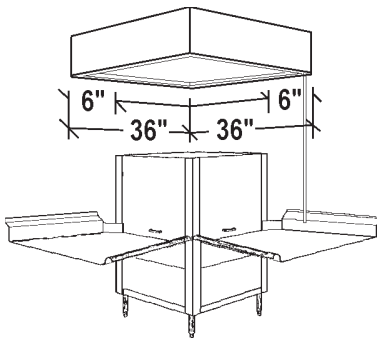
APPROVAL SHEET



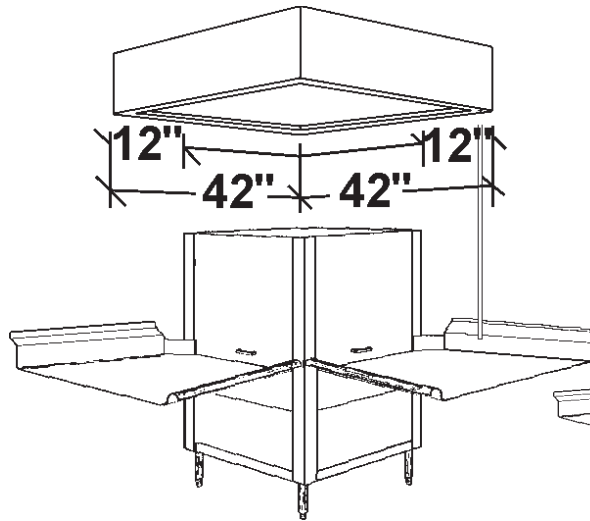
Standard 2

Sizing of Dishwasher Canopys

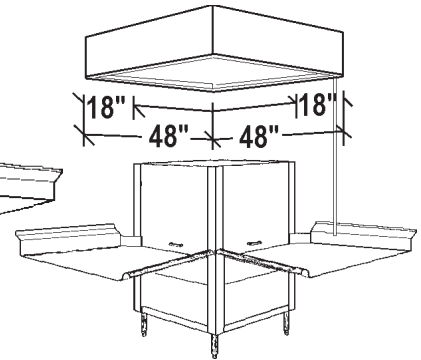
Corner Model



Minimum Code Overhang 6"

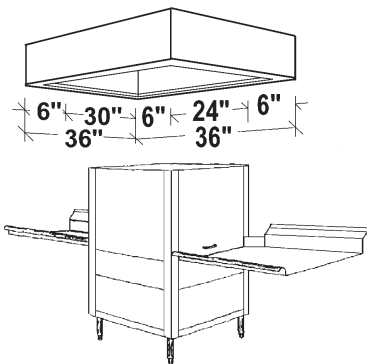


Recommended Overhang 12"

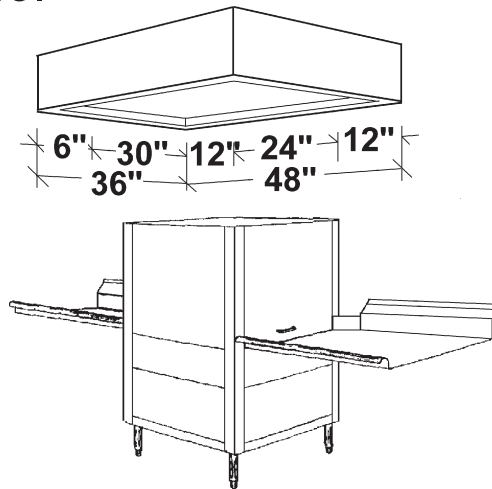


Archetctural Overhang 18"

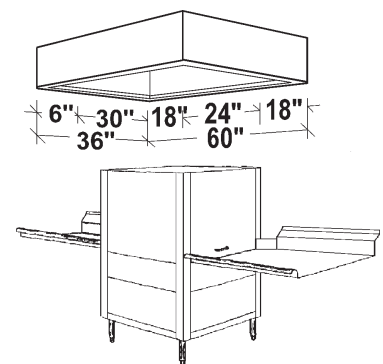
Straight Thru Model



Minimum Code Overhang 6"



Recommended Overhang 12"



Archetctural Overhang 18"